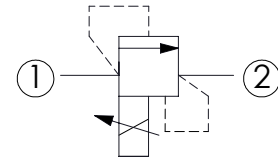
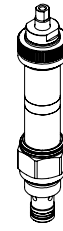
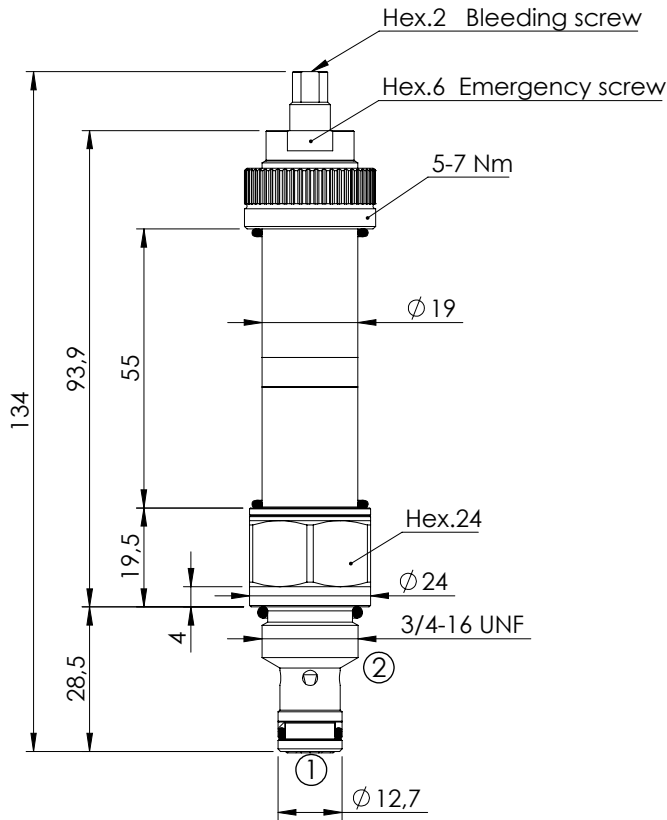


SOLENOID OPERATED CARTRIDGE

CEBD-005-PLPS

**PROPORTIONAL VALVES
POPPET TYPE RELIEF**

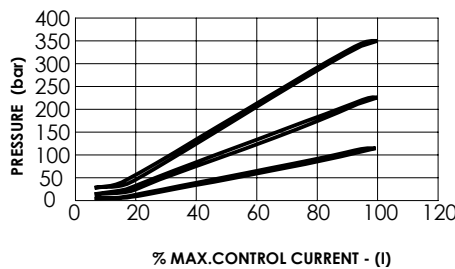
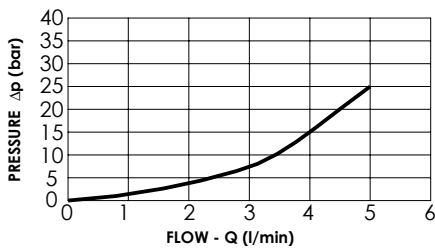


SPECIFICATIONS

Max. operating pressure:	350 bar
Rated flow:	5 l/min
Cavity:	SAE-08-2N
Weight:	0,16 kg
Coil type:	M15 type
PWM range recommended:	120-150 Hz
Installation torque:	45 - 50 Nm
Seal kit:	RA100081

NOTES

Bleed air before use



ORDERING CODES

Quick code	Description	Setting range (bar)	Threshold current (with 12VDC coil)	Max control current (with 12V DC coil)	Override
CE000910	CEBD-005-PLPS-92-S08-V350	30-350	250 mA (+/-7%)	1800 mA (+/-7%)	Screw style
CE000911	CEBD-005-PLPS-92-S08-V200	20-220	200 mA (+/-7%)	1700 mA (+/-7%)	Screw style
CE000912	CEBD-005-PLPS-92-S08-V100	10-120	200 mA (+/-7%)	1600 mA (+/-7%)	Screw style