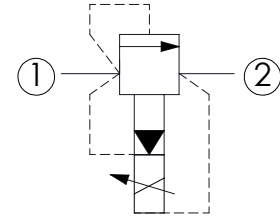
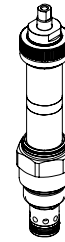
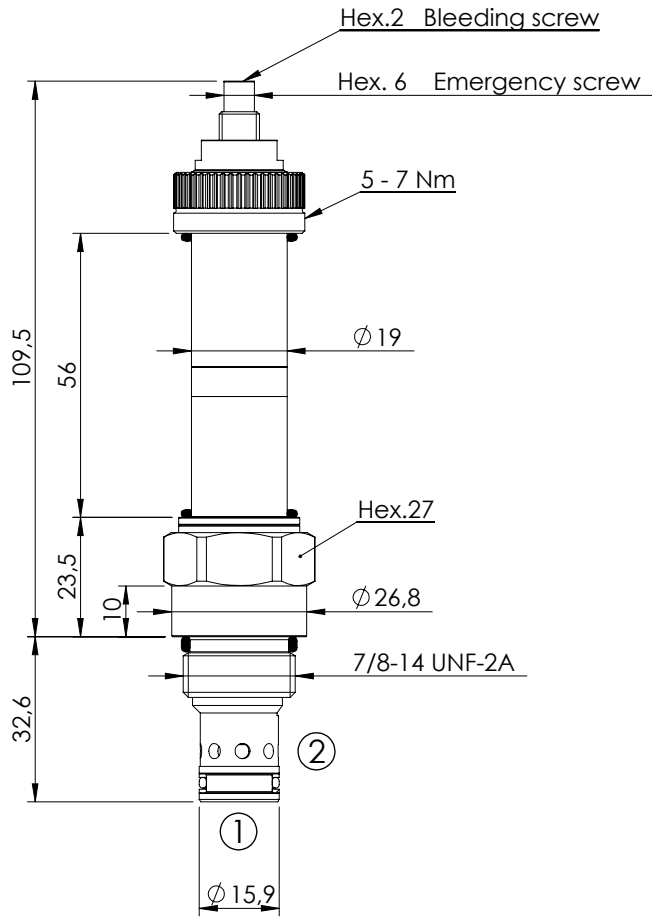


SOLENOID OPERATED CARTRIDGE

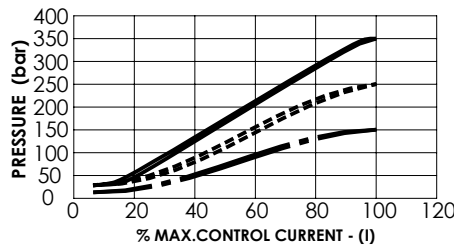
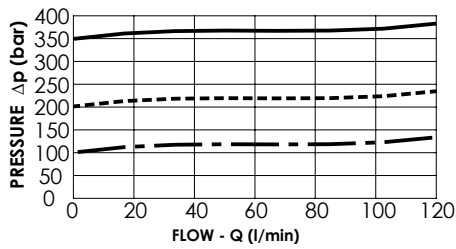
CEBT-120-PLPS

**PROPORTIONAL VALVES
PILOTED RELIEF
SPOOL TYPE**



SPECIFICATIONS

Max. operating pressure:	350 bar
Rated flow:	120 l/min
Cavity:	SAE-10-2N
Weight:	0,2 kg
Coil type:	M15 type
Max. int. leakage:	200 cm ³ /min (@46 cSt)
Installation torque:	50 - 57 Nm
PWM range recommended:	150-180 Hz
Seal kit:	RB100082



CE000119 1>2 ————— CE000120 1>2 - - - - - CE000121 1>2 - . - . - .

NOTES

Bleed air before use

ORDERING CODES

Quick code	Description	Setting range (bar)	Threshold current (with 12VDC coil)	Max control current (with 12V DC coil)	Override
CE000119	CEBT-120-PLPS-91-S10-V350	30-350	200 mA (+/-7%)	1600 mA (+/-7%)	Screw style
CE000120	CEBT-120-PLPS-91-S10-V200	20-220	200 mA (+/-7%)	1700 mA (+/-7%)	Screw style
CE000121	CEBT-120-PLPS-91-S10-V100	15-90	200 mA (+/-7%)	1700 mA (+/-7%)	Screw style