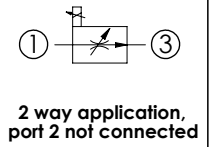
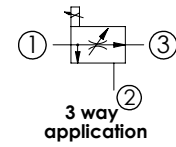
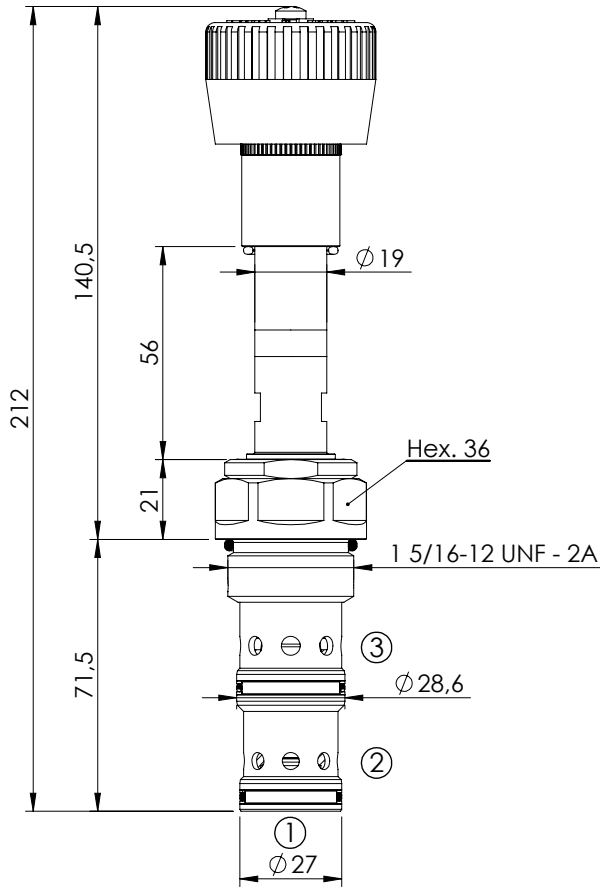


PROPORTIONAL CARTRIDGE

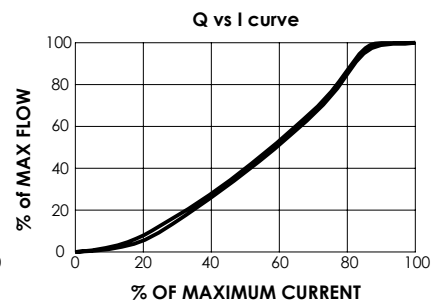
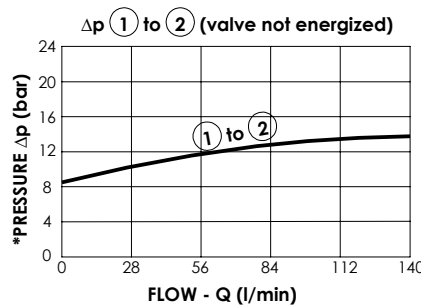
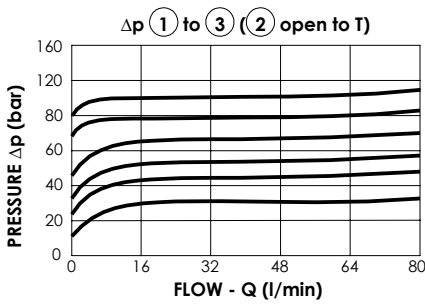
CECS-140-FRPV

**PROPORTIONAL VALVES
FLOW REGULATOR
3 WAYS COMBINATION**



SPECIFICATIONS

Max. operating pressure:	320 bar
Maximum flow (in inlet port ①):	140 l/min
Max. flow ① to ③:	80 l/min(regulated)
Pressure differential (① to ③):	7 - 11 bar
Hysteresis (ramp up and down):	1,5 - 3 %
Coil type:	M15
Voltage:	12- 24 V dc
Max voltage (12 V dc):	1800 mA
Max voltage (24 V dc):	1200 mA
Coil resistance (12 V dc):	3.3-5.8 Ω
Coil resistance (24 V dc):	7.2-13 Ω
Weight:	0,6 kg
Cavity:	SAE-16-3N
Installation torque:	130 -145 Nm
Surface protection proportional solenoid:	Coating DIN 50962 Fe8//ZiNi with passivation
Seal kit:	RB100094



ORDERING CODES

Quick code	Description	Regulated flow range (l/min)	Adjustment type
CE000831	CECS-140-FRPV-15-S16-V320	0 - 15	Handknob
CE000832	CECS-140-FRPV-25-S16-V320	0 - 25	Handknob
CE000833	CECS-140-FRPV-40-S16-V320	0 - 40	Handknob
CE000834	CECS-140-FRPV-50-S16-V320	0 - 50	Handknob
CE000835	CECS-140-FRPV-65-S16-V320	0 - 65	Handknob
CE000836	CECS-140-FRPV-80-S16-V320	0 - 80	Handknob