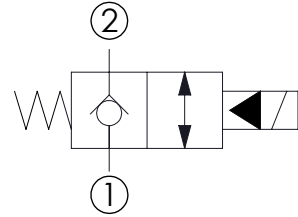
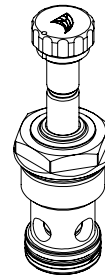
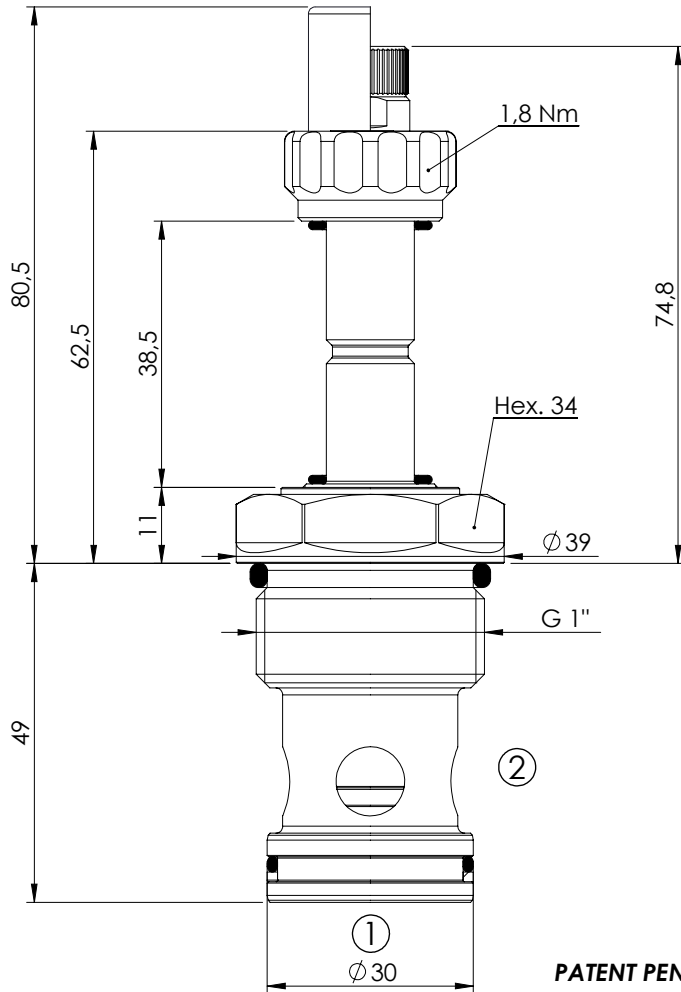


SOLENOID OPERATED CARTRIDGE

CEBN-200-NCFN

**PILOT OPERATED
POPPET TYPE**

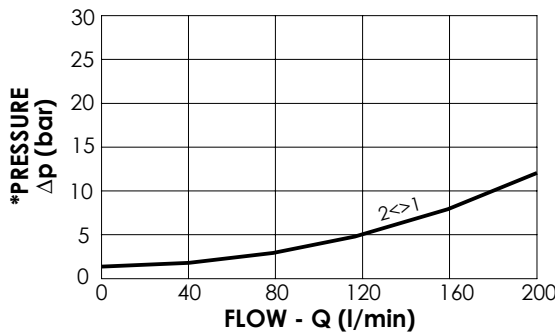


SPECIFICATIONS

Max. operating pressure:	350 bar
Rated flow:	200 l/min
Cavity:	VP000013
Weight:	0,35 kg
Min. voltage required:	90% of nominal
Coil type:	M7 type
Seal kit:	RC700013

NOTES

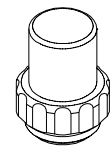
Installation torque: 135 - 150 Nm



OPTIONS



SEALING CAP



**Ordering code:
AT000113**

ORDERING CODES

Quick code	Description	Options	Max operating pressure (bar)
CE000354	CEBN-200-NCFN-03-013-N350	Standard	350
CE000356	CEBN-200-NCFK-03-013-N350	Knob style override	350
CE000654	CEBN-200-NCFN-03-013-N500	Standard	500
CE000656	CEBN-200-NCFK-03-013-N500	Knob style override	500