

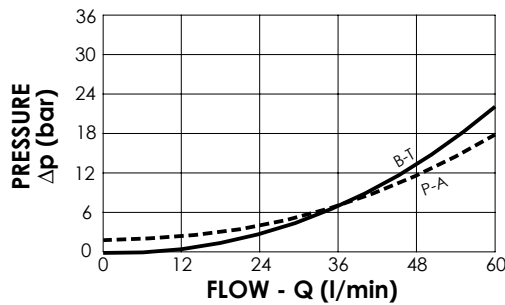
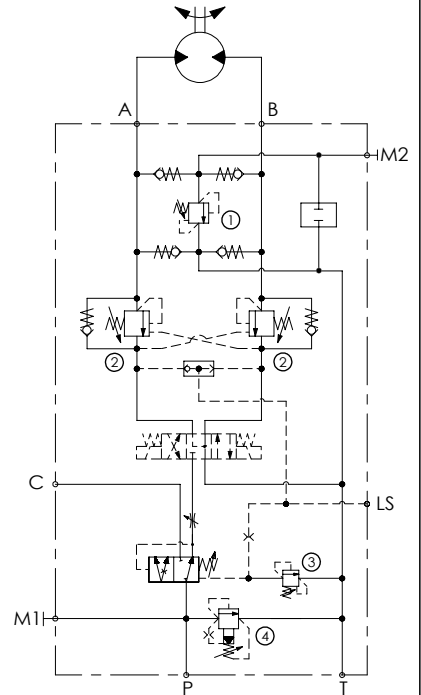
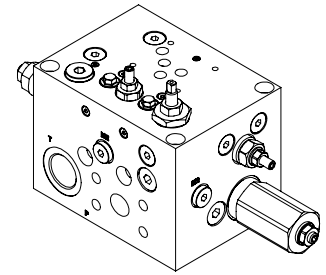
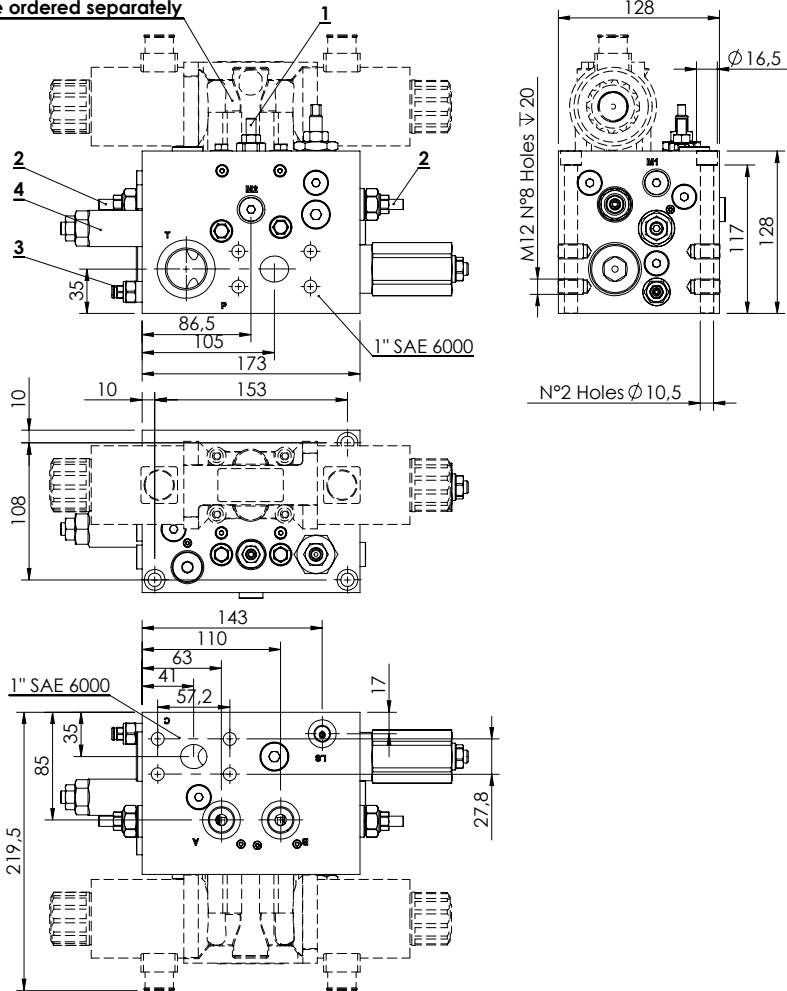
EXCAVATORS VALVE

BNND-300-ALBE

EXCAVATOR ATTACHMENT
FUNCTION - G 1" SAE 6000



Solenoid operated valve
to be ordered separately



SPECIFICATIONS

- Max. operating pressure: **350 bar**
- Rated flow: **Q max inlet : 300 l/min**
Q in A - B : 60 l/min
- Manifold: **Steel zincplated**
- Weight: **26,76 kg**

NOTES

Our spring on the compensator is adjustable from 5 to 15 bar, the max flow in A and B depend on the Δp curve of the electrical valve.

ORDERING CODES

Quick code	Description	Pilot ratio	Main ports size	Standard setting (bar, Q=5 l/min)	Adjust. range (bar)	Pressure increase (bar/turn)
BD000083	Excavator attachment function - 1" SAE 6000	4 : 1	P-C: G1" SAE 6000 A-B-T: G1/2" M1-M2-LS: G1/4"	① 220 ③ 200 ② 260 ④ 250	①② 100-350 ③ 120-350 ④ 140-270	① 91 ③ 165 ② 138 ④ 49