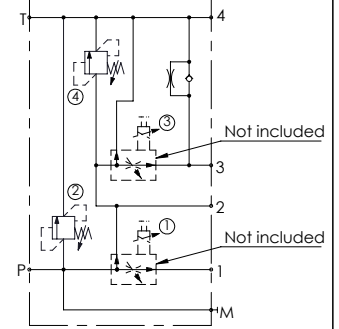
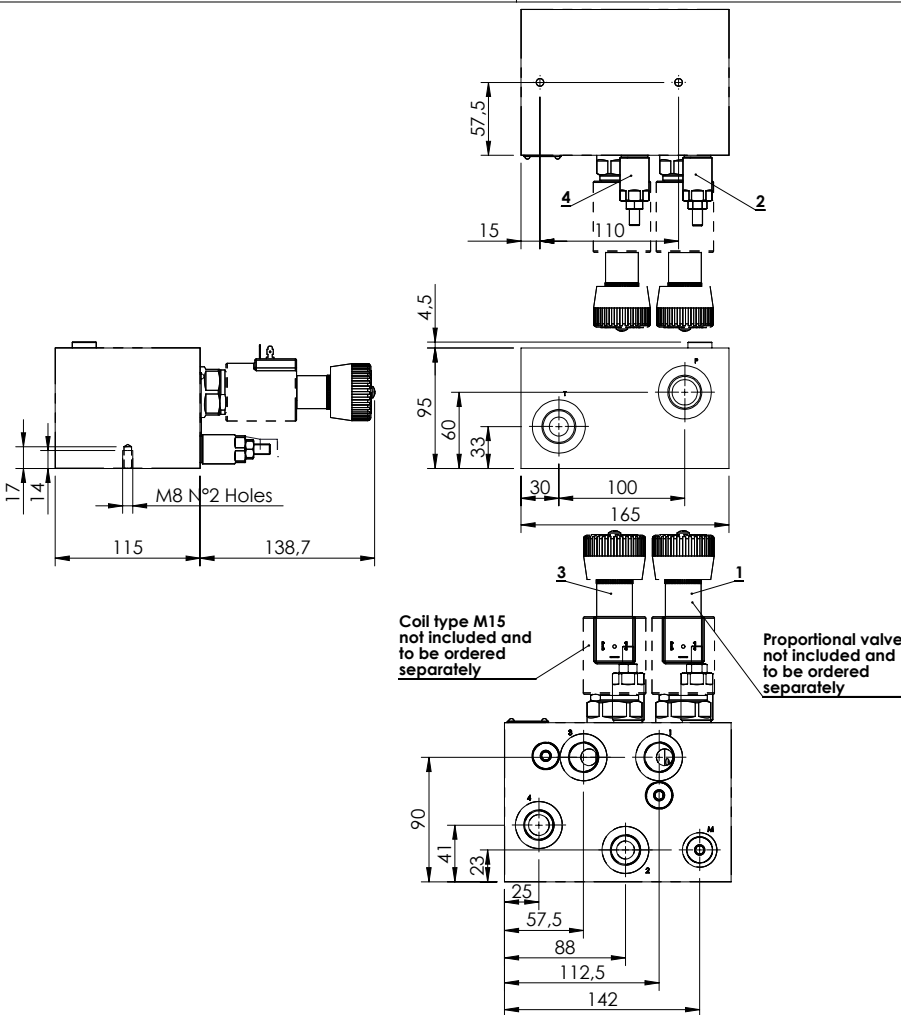
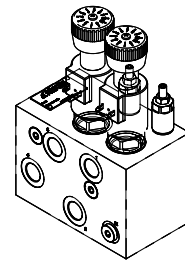


**SALT SPRAYER VALVE**

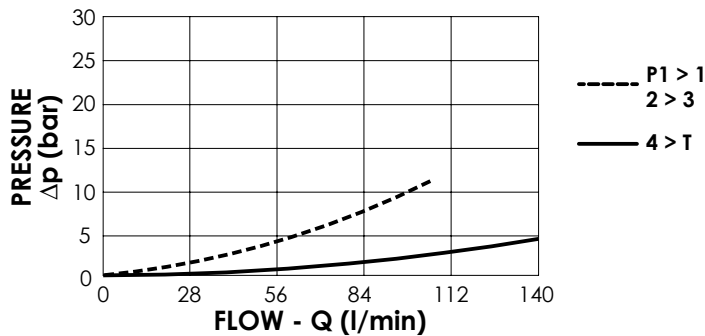
**BNFN-140-LPNR**

**PROPORTIONAL VALVE**



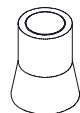
**SPECIFICATIONS**

Max. operating pressure:	250 bar
Rated flow:	140 l/min
Max regulated flow:	0 - 80 l/min
Manifold:	Aluminium
Weight:	4,4 kg
Coil type:	M15
Cavity type:	SAE-16-3N



**SEALING CAP:**

Ordering code:  
AT000020



**NOTES**

- See chapter 18.00.000 for coils.
- See chapter 16.00.000 for proportional valve info.

**ORDERING CODES**

Quick code	Description	Main ports size	Standard setting (bar, Q=5 l/min)	Adjust. range (bar)	Pressure increase (bar/turn)
BF000020	BNFN-140-LPNR-02-M26-N250	1,2,3,4: M22x1,5 P,T: M27x2 M: M14x1,5	②:200 ④:100	②:50-210 ④:30-100	②:42 ④:20