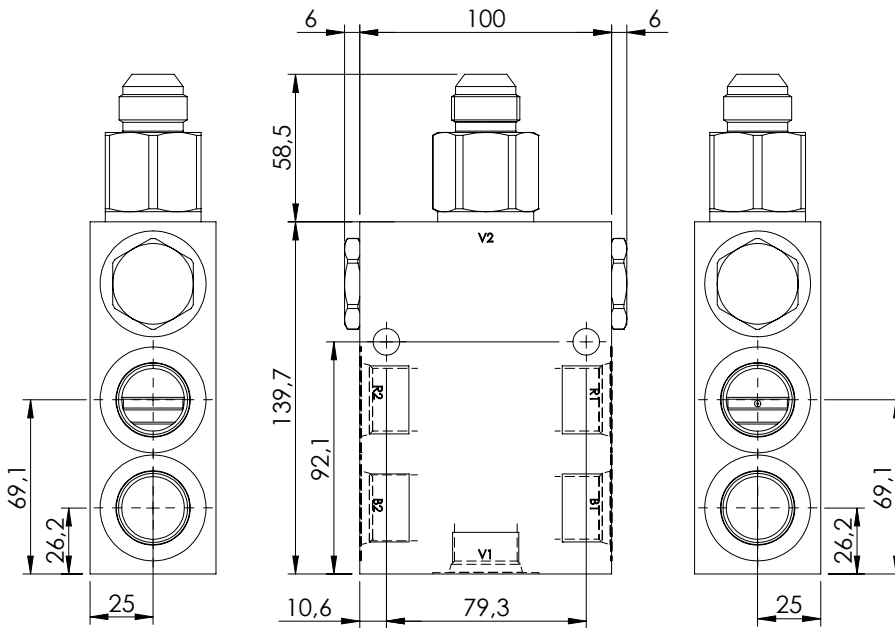
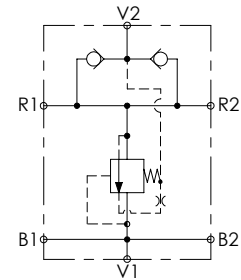
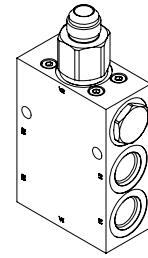
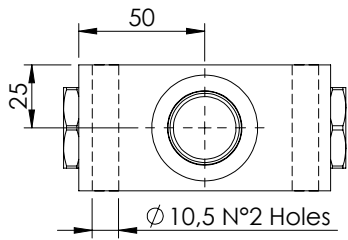


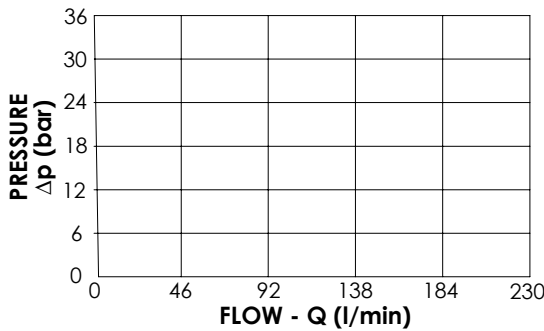
GARBAGE COMPACTORS

BNND-230-ABU



SPECIFICATIONS

Max. operating pressure:	350 bar
Rated flow:	230 l/min
Regenerate flow:	500 l/min
Manifold:	Steel
Weight:	4603,4 g



NOTES

ORDERING CODES

Quick code	Description	Main ports size	Cracking pressure (bar)	
BD000196	BNND-230-ABU-U11-N350	V1,B1,B2,R1,R2:1 1/16-12 UNF V2:1 1/16-12 flare 37°	2	