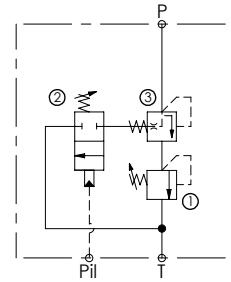
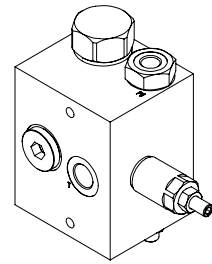
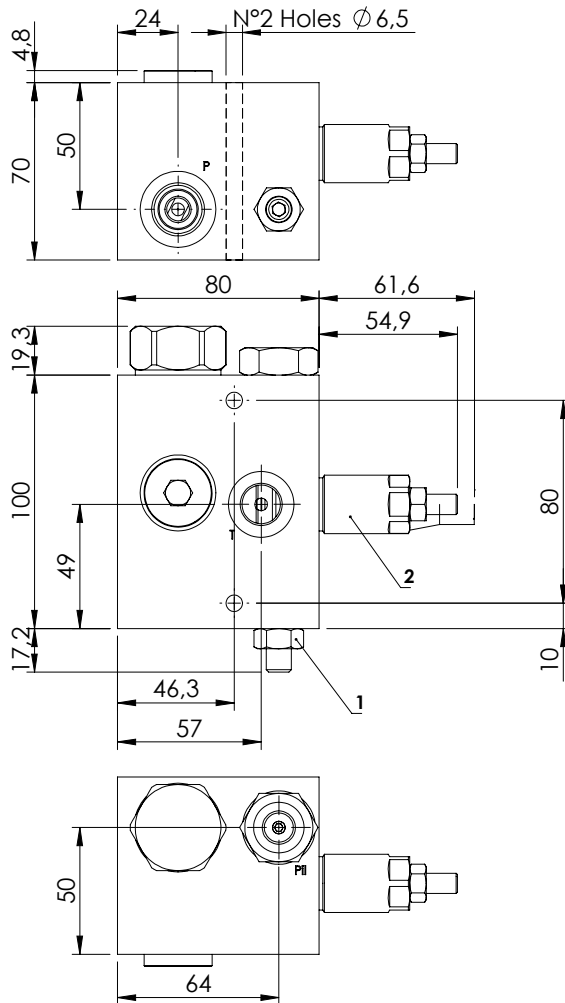


GARBAGE COMPACTORS

MTLN-030-TLSL

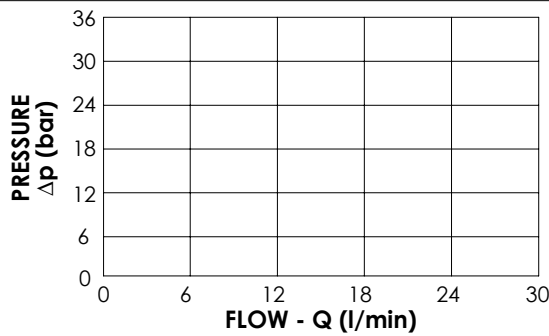
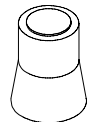


SPECIFICATIONS

Max. operating pressure:	210 bar
Rated flow:	30 l/min
Manifold:	Aluminium
Weight:	1,9 kg

SEALING CAP

Ordering code:
AT000020



NOTES

ORDERING CODES

Quick code	Description	Main ports size	Standard setting (bar, Q=5 l/min)	Adjust. range (bar)	Pressure increase (bar/turn)
MT000008	MTLN-030-TLSL-NP-G12-N180	P, T:G 1/2" Pil:G 1/4"	①:180 ②:40	①:40-200 ②:10-50	①:49 ②:10