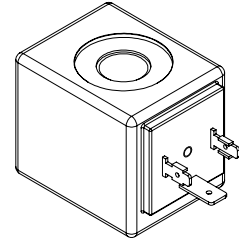
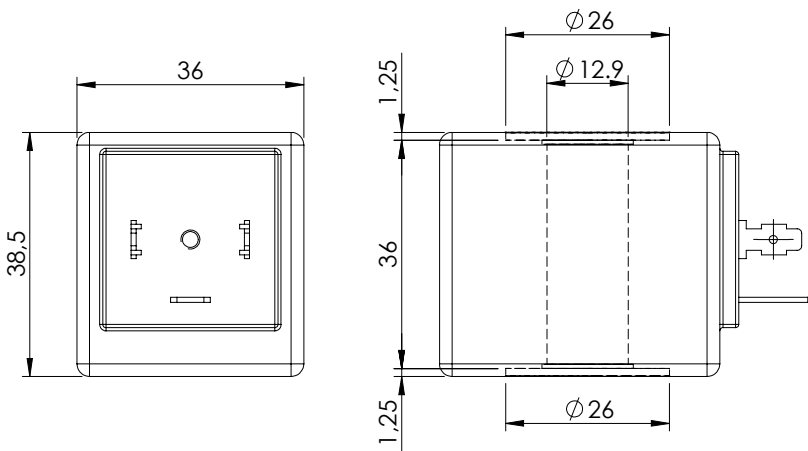
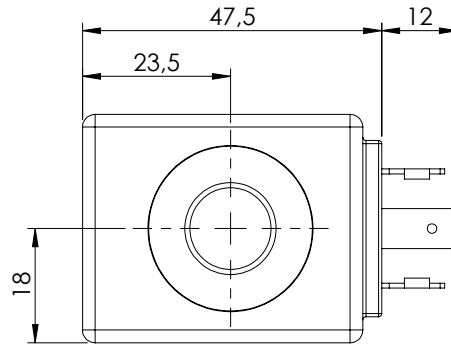


COIL

COIL SERIES M7

DIN 43650 - ISO 4400
CLASS H



SPECIFICATIONS

Heat insulation class H	180°C
Ambient temperature	-20 + 50°C
Inlet voltage	±10% tol.
Insulation class IP65 with all seals properly mounted	
Weight:	0,217 kg

NOTES

ORDERING CODES

Quick code	Description	Connection type	Voltage (V)	Resistance (Ω) $\pm 7\%$	Power (w)	Current (A)
AB000002	Coil M7 HS 12V CLASS H	DIN 43650-ISO 4400	12 DC	7,2	20	1,67
AB000018	Coil M7 HS 14V CLASS H	DIN 43650-ISO 4400	14 DC	9,8	20	1,43
AB000003	Coil M7 HS 24V CLASS H	DIN 43650-ISO 4400	24 DC	28,8	20	0,83
AB000004	Coil M7 HS 26V CLASS H	DIN 43650-ISO 4400	26 DC	33,8	20	0,77
AB000043	Coil M7 HS 10.5V CLASS H	DIN 43650-ISO 4400	10.5 DC	5,5	20	1,90
AB000046	Coil M7 HS 48V CLASS H	DIN 43650-ISO 4400	48 DC	115,2	20	0,42