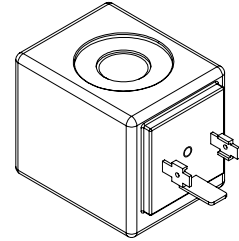
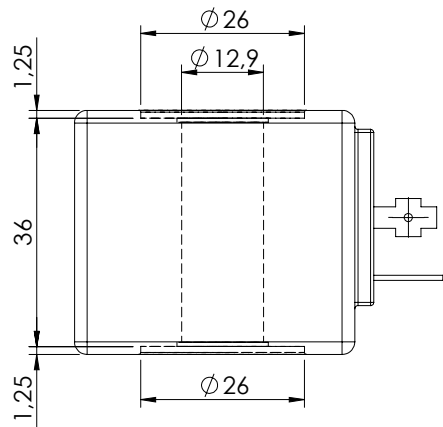
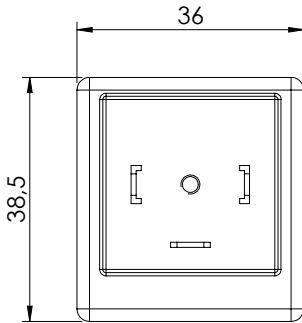
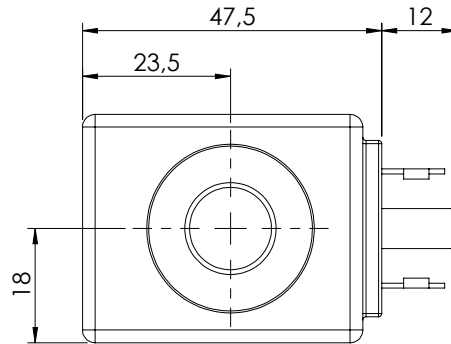


COIL

COIL SERIES M7

DIN 43650 - ISO 4400
RAC CLASS H



SPECIFICATIONS

Heat insulation class H	180°C
Ambient temperature	-20 + 50°C
Inlet voltage	±10% tol.
Insulation class IP65 with all seals properly mounted	
Weight:	0,217 kg

NOTES

ORDERING CODES

Quick code	Description	Connection type	Voltage (V)	Resistance (Ω) $\pm 7\%$	Power (w)	Current (A)
AB000011	Coil M7 HS 24V RAC Class H	DIN 43650-ISO 4400	24 RAC	28,9	20	0,83
AB000012	Coil M7 HS 110V RAC Class H	DIN 43650-ISO 4400	110 RAC	605	20	0,18
AB000007	Coil M7 HS 220V RAC Class H	DIN 43650-ISO 4400	220 RAC	2140	20	0,09