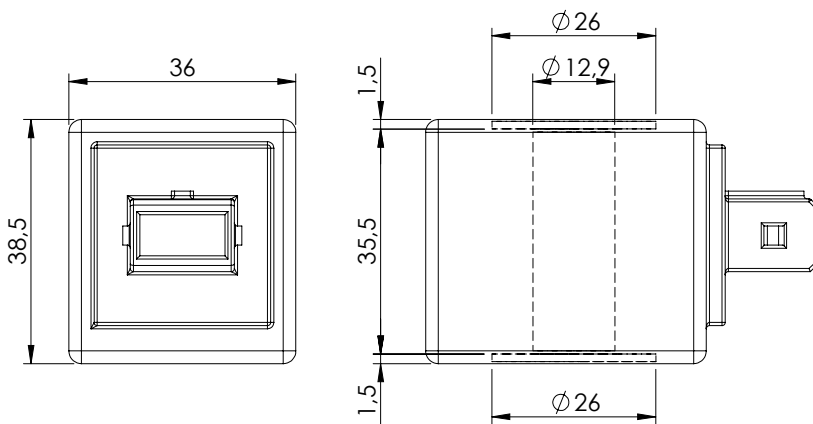
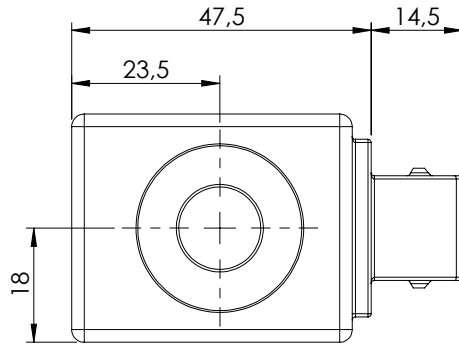
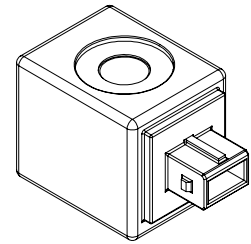


COIL

**COIL SERIES M7**

**AMP JUNIOR  
CLASS H**



**SPECIFICATIONS**

Heat insulation class H	180°C
Ambient temperature	-20 + 50°C
Inlet voltage	±10% tol.
Insulation class IP65 with all seals properly mounted	
Weight:	0,217 kg

**NOTES**

**ORDERING CODES**

Quick code	Description	Connection type	Voltage (V)	Resistance ( $\Omega$ ) $\pm$ 7%	Power (w)	Current (A)
AB000005	Coil M7 AJ 12V CLASS H	AMP JUNIOR	12 DC	7,2	20	1,67
AB000014	Coil M7 AJ 24V CLASS H	AMP JUNIOR	24 DC	28,8	20	0,83
AB000010	Coil M7 AJ 26V CLASS H	AMP JUNIOR	26 DC	33,8	20	0,77