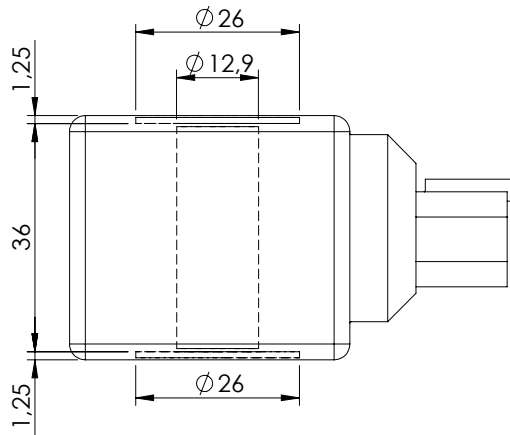
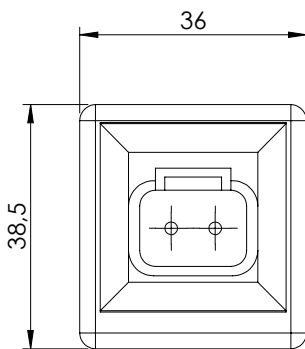
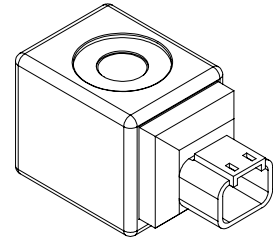
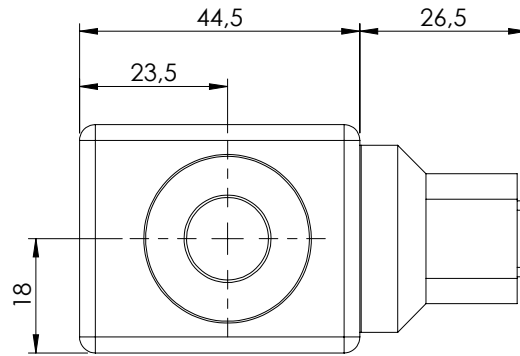


COIL

# COIL SERIES M7

DEUTSCH DT04-2P-L  
CLASS H



## SPECIFICATIONS

Heat insulation class H 180°C

Ambient temperature -20 + 50°C

Inlet voltage ±10% tol.

Insulation class IP69K with all seals properly mounted

Weight: 0,217 kg

## NOTES

With bi-directional diode

## ORDERING CODES

Quick code	Description	Connection type	Voltage (V)	Resistance ( $\Omega$ ) $\pm$ 7%	Power (w)	Current (A)
AB000001	Coil M7 DT 12V CLASS H	DT04-2P-L	12 DC	7,2	20	1,67
AB000008	Coil M7 DT 24V CLASS H	DT04-2P-L	24 DC	28,8	20	0,83