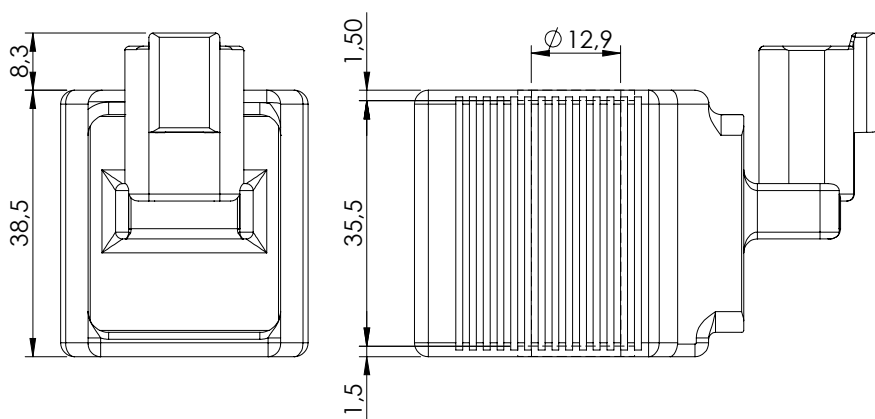
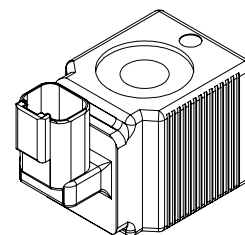
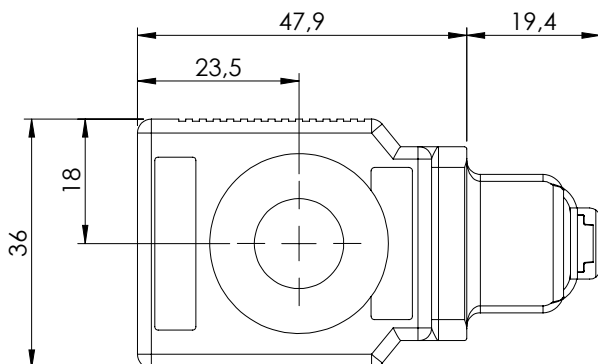


COIL

COIL SERIES M7

DEUTSCH DT04-2P-V
CLASS H



SPECIFICATIONS

Heat insulation class H	180°C
Ambient temperature	-20 + 50°C
Inlet voltage	±10% tol.
Insulation class IP69K with all seals properly mounted	
Weight:	0,217 kg

NOTES

With bi-directional diode

ORDERING CODES

Quick code	Description	Connection type	Voltage (V)	Resistance (Ω) ± 7%	Power (w)	Current (A)
AB000022	Coil M7 DTV 12V CLASS H	DT04-2P-V	12 DC	7,2	20	1,67
AB000023	Coil M7 DTV 24V CLASS H	DT04-2P-V	24 DC	28,8	20	0,83
AB000024	Coil M7 DTV 26V CLASS H	DT04-2P-V	26 DC	33,8	20	0,77