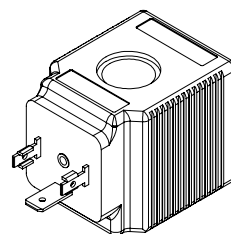
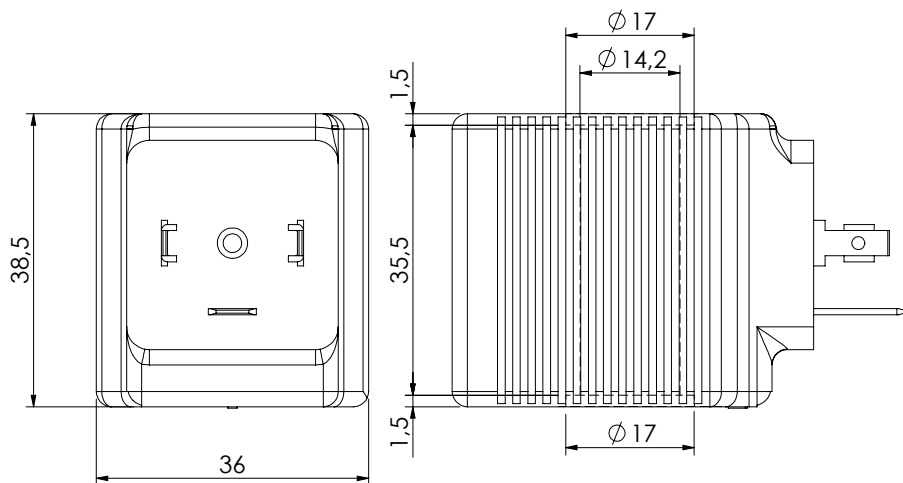
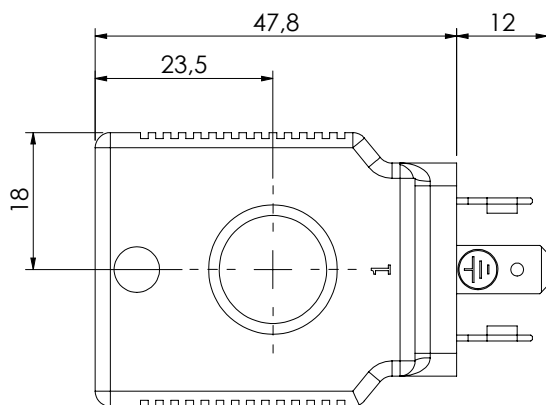


COIL

COIL SERIES M14

DIN 43650 - ISO 4400
CLASS H



SPECIFICATIONS

Heat insulation class H	180°C
Ambient temperature	-20 + 50°C
Inlet voltage	±10% tol.
Insulation class IP65 with all seals properly mounted	
Weight:	0,20 kg

NOTES

ORDERING CODES

Quick code	Description	Connector type	Voltage (V)	Resistance (Ω) ±7%	Power (w)	Current (A)
AB000143	Coil M14 HS 12V CLASS H	DIN 43650-ISO 4400	12 DC	5.54	26	2.17
AB000145	Coil M14 HS 13V CLASS H	DIN 43650-ISO 4400	13 DC	6.5	26	2.00
AB000144	Coil M14 HS 24V CLASS H	DIN 43650-ISO 4400	24 DC	22.2	26	1.08