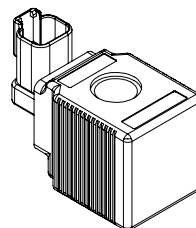
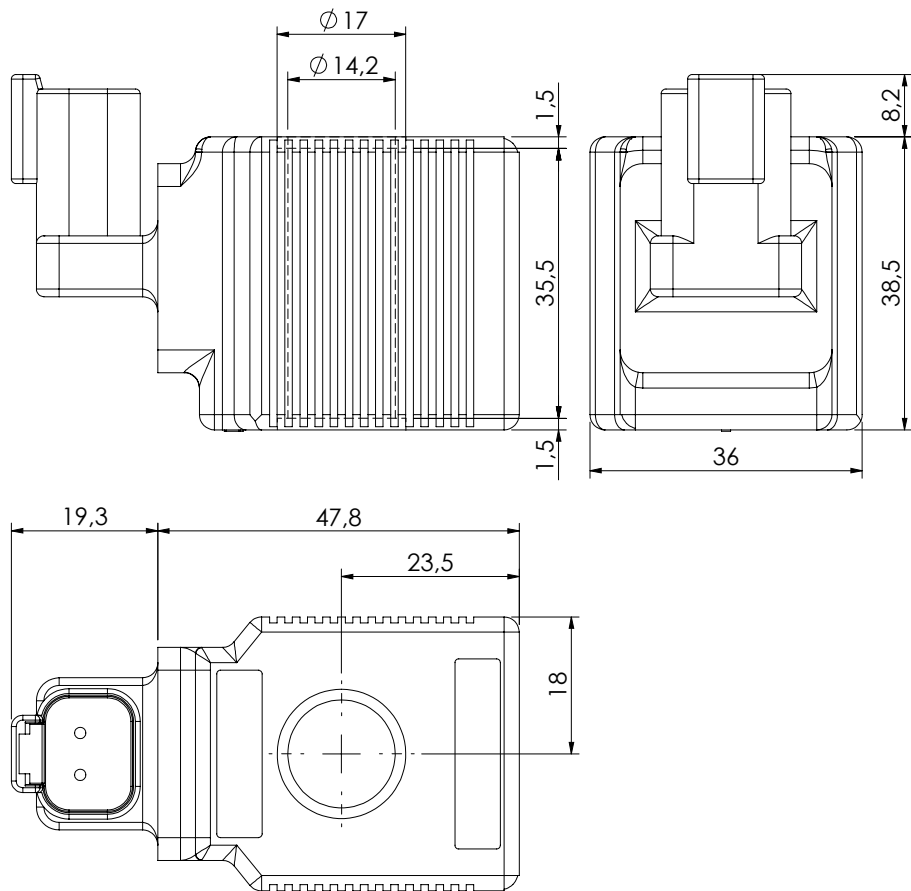


COIL

# COIL SERIES M14

DEUTSCH DT04-2P-V  
CLASS H



## SPECIFICATIONS

|  |            |
|--|------------|
| Heat insulation class H                                | 180°C      |
| Ambient temperature                                    | -20 + 50°C |
| Inlet voltage  | ±10% tol.  |
| Insulation class IP69K with all seals properly mounted |            |
| Weight:  | 0,20 kg    |

## NOTES

With bi-directional diode

## ORDERING CODES

| Quick code | Description              | Connector type | Voltage (V) | Resistance (Ω) ±7% | Power (w) | Current (A) |
|------------|--------------------------|----------------|-------------|--------------------|-----------|-------------|
| AB000132   | Coil M14 DTV 12V CLASS H | DT04-2P-V      | 12 DC       | 5,53               | 26        | 2,17        |
| AB000133   | Coil M14 DTV 24V CLASS H | DT04-2P-V      | 24 DC       | 22,15              | 26        | 1,08        |
|            |                          |                |             |                    |           |             |
|            |                          |                |             |                    |           |             |
|            |                          |                |             |                    |           |             |