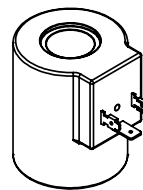
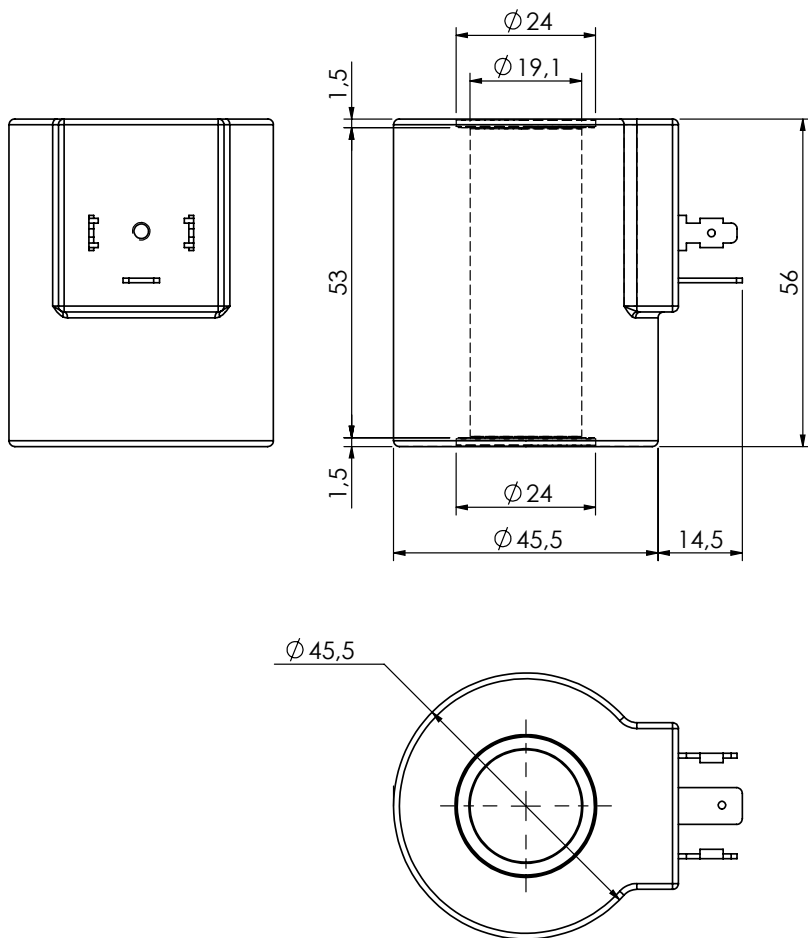


COIL

COIL SERIES M8

DIN 43650 - ISO 4400
CLASS H



SPECIFICATIONS

Heat insulation class H	180°C
Ambient temperature	-20 + 50°C
Inlet voltage	±10% tol.
Insulation class IP65 with all seals properly mounted	
Weight:	0,329 kg

NOTES

ORDERING CODES

Quick code	Description	Connector type	Voltage (V)	Resistance (Ω) $\pm 7\%$	Power (w)	Current (A)
AB000015	Coil M8 HS 12V CLASS H	DIN 43650-ISO 4400	12 DC	4.4	33 W	2.75
AB000029	Coil M8 HS 24V CLASS H	DIN 43650-ISO 4400	24 DC	17.5	33 W	1.38
AB000159	Coil M8 HS 14V CLASS H	DIN 43650-ISO 4400	14 DC	5.94	33 W	2.36
AB000160	Coil M8 HS 26V CLASS H	DIN 43650-ISO 4400	26 DC	20.48	33 W	1.27
AB000158	Coil M8 HS 48V CLASS H	DIN 43650-ISO 4400	48 DC	69.81	33 W	0.69