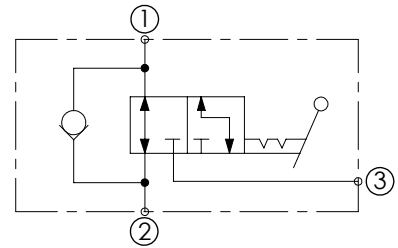
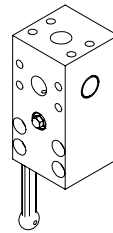
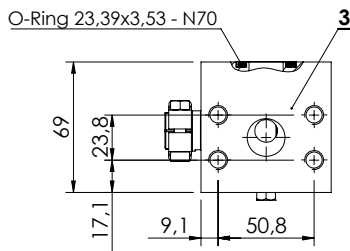
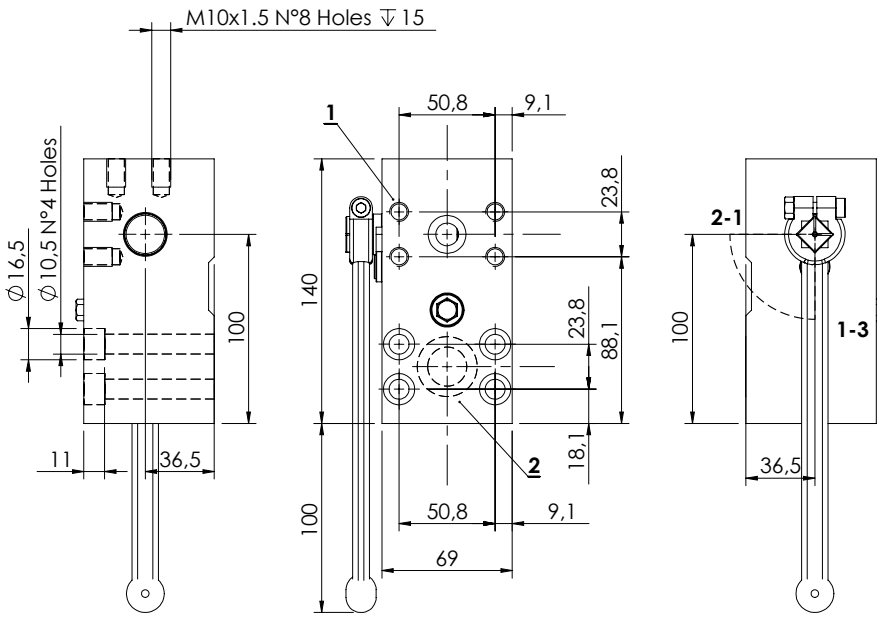


EXCAVATORS VALVE

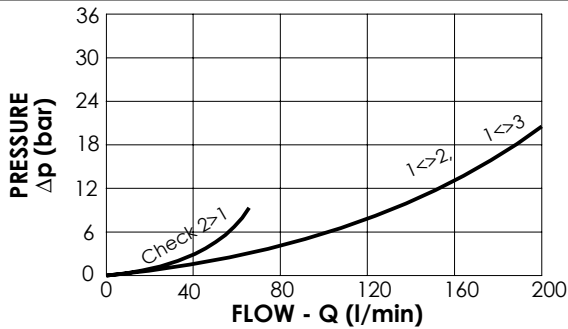
MDRC-200-SLVN

**AUXILIARY
SELECTOR VALVE**



SPECIFICATIONS

Max. operating pressure:	500 bar
Rated flow:	200 l/min
Manifold:	Steel
Weight:	4,86 kg



NOTES

1 to 2, leakage in 3: 20 cc @ 100 bar
 1 to 3, leakage in 2: 20 cc @ 100 bar

Oil specification: 46 cSt
 Oil temperature: 35°C

Handle supplied separately,
 not attached to the block.

ORDERING CODES

Quick code	Description	Main ports size	
MD000072	MDRC-200-SLVN-NP-S34-N500	3/4" SAE 6000	