

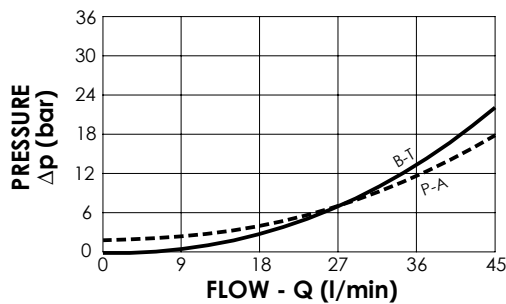
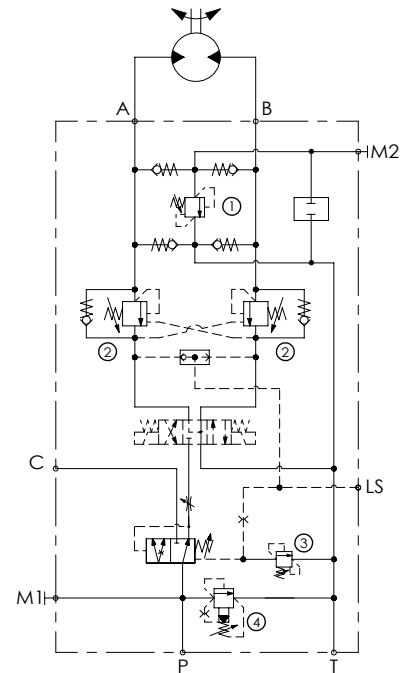
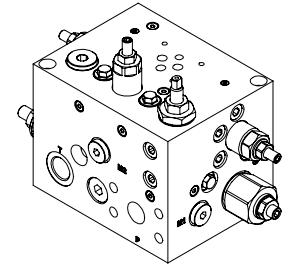
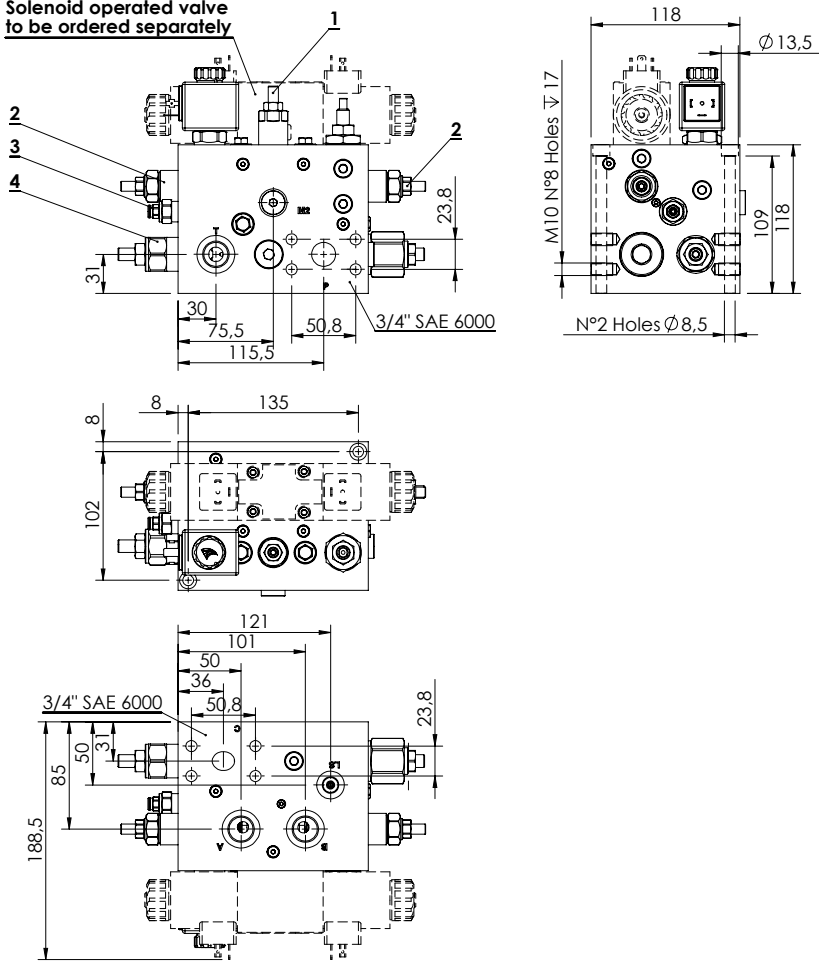
EXCAVATORS VALVE

BNND-200-ALBE

EXCAVATOR ATTACHMENT
FUNCTION - G 3/4" SAE 6000



Solenoid operated valve
to be ordered separately



SPECIFICATIONS

Max. operating pressure:	350 bar
Rated flow:	Q max inlet : 200 l/min Q in A - B : 45 l/min
Manifold:	Steel zincplated
Weight:	16,01 kg

NOTES

Our spring on the compensator is adjustable from 5 to 15 bar, the max flow in A and B depend on the Δp curve of the electrical valve.

ORDERING CODES

Quick code	Description	Pilot ratio	Main ports size	Standard setting (bar, Q=5 l/min)	Adjust. range (bar)	Pressure increase (bar/turn)
BD000082	Excavator attachment function - 3/4" SAE 6000	4 : 1	P-C: G3/4" SAE 6000 A-B-T: G3/4" M1-M2-LS: G1/4"	① 220 ③ 200 ② 260 ④ 250	①② 100-350 ③ 120-350 ④ 140-350	① 91 ③ 165 ② 138 ④ 114